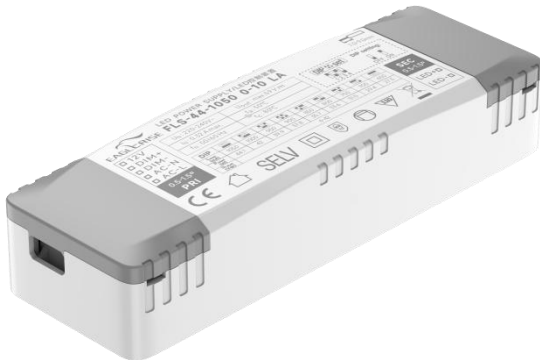


15W 0-10V+RX+PWM Dimming power supply



■ Approve

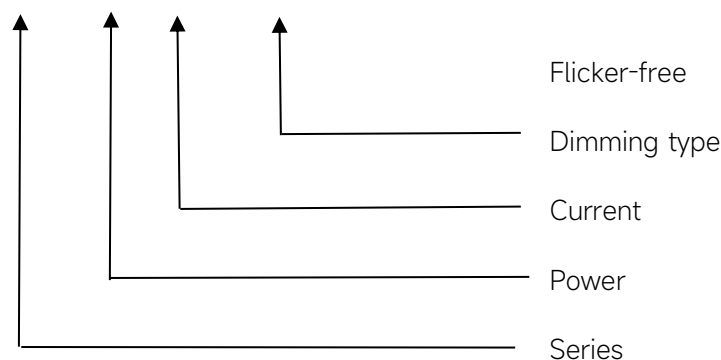


◆ Description

FLS-15-350 0-10 LA is a 15W constant current LED driver that operates from 198-264Vac input with 120 to 350mA output current and a forward voltage range from 9 to 42Vdc. The output current is adjustable by DIP Switch. With it's compact dimensions from 125 x 45 x 26mm it is easy to integrate in LED Panel and down light products. To ensure trouble-free operation, protection is provided against output short circuit and over Load.

◆ Model code

FLS-15-350 0-10 LA



Features

- For luminaries of protection Class I, II, SELV, independent
- Input Voltage 220-240VAC
- Protections: SCP/OLP/OVP/OTP
- Power Factor 0.95
- Efficiency 80%
- Support 0-10V,RX,PWM Dimming
- 5 years warranty

Applications

- LED panel light, Down light

◆ Specification

Output	Constant Current (mA)	120/150/180/200/220/250/300/350mA
	Voltage Range(VDC)	9-42VDC
	Unload voltage Max.(VDC)	59VDC
	Current Accuracy	±10% (120/150 mA) , ±8% ((180/200/220 mA), ±6% (250/300/350mA)
	Output HF current ripple(≥1KHz)	±5%
	Output LF current ripple(≤120Hz)	±3%
	Auxiliary Output Voltage	12V
	Auxiliary Output Current	50 mA
	SVM	≤0.4
	P _{st}	≤1
	Efficiency(Typ.)	≥80%
Input	Rated input voltage(VAC)	220-240VAC
	Range of input voltage(VAC)	198-264VAC
	Range of input voltage(VDC)	198-264VDC
	Frequency(Hz)	0/50/60 Hz
	Displacement factor	≥0.7
	Power Factor	0.95
	Input Current max	0.1 A Max
	Start-up time	< 0.5S
	No Load Power	≤0.5W
	THD (Typ.)	≤15%
Dimming	Dimming	YES
	Dimming mode	0-10V,RX,PWM
	Dimming depth	1%
	Dimming current range	0 ~100%
Protection	Over Load Protection	103-130% YES/Auto Resume
	Over Voltage Protection	> 59VDC YES/Auto Resume
	Short circuit Protection	YES/Auto Resume
	Over Temperature Protection	YES/Auto Resume
Environment	Operating Temperature	-20°C...+45°C
	Humidity	20%-90%RH
	Tc	85°C
	Storage Temperature	-25°C...+80°C
	Life time	> 50000h
Surface	Dimension	125X45X26(LXWXH)mm

standards	EN 61547; EN 61347-1,EN 61347-2-13; IEC 61347-1,IEC 61347-2-13; GB 19510.1,GB 19510.14; AS 61347.1,AS 61347.2.13; EN 62384; EN IEC 55015,EN IEC 61000-3-2,EN 61000-3-3	
Others	ErP	EU 2019/2020
	RoHS	RoHS (2011/65/EU) (EU)2015/863
Note	1.All parameters NOT specially mentioned are measured at 230VAC input , full load and 25°C of ambient temperature. 2.Ripple & Noise are measured at 20MHz of bandwidth by using a 300mm twisted pair-wire terminated with a 0.1uF & 47 uF parallel capacitor.	

◆ Parameter

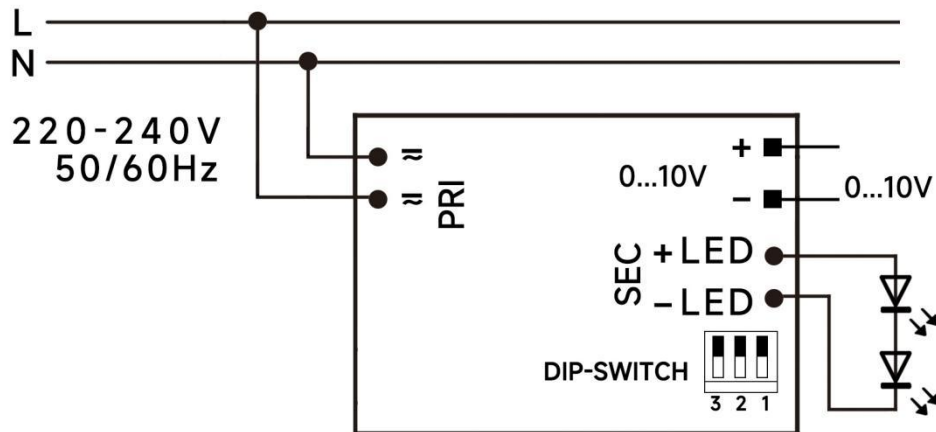
Number	Output				Switch position			
	Current (mA)	Voltage (VDC)	Voltage No load (VDC)	Power (W)	1	2	3	4
1	120mA	9-42VDC	59VDC	5	ON	--	--	--
2	150mA	9-42VDC		6.3	--	ON	--	--
3	180mA	9-42VDC		7.56	--	--	ON	--
4	200mA	9-42VDC		8.4	--	--	--	ON
5	220mA	9-42VDC		9.24	ON	--	--	ON
6	250mA	9-42VDC		10.5	--	ON	--	ON
7	300mA	9-42VDC		12.6	ON	--	ON	ON
*8	350mA	9-42VDC		14.7	ON	ON	ON	ON

* Factory default

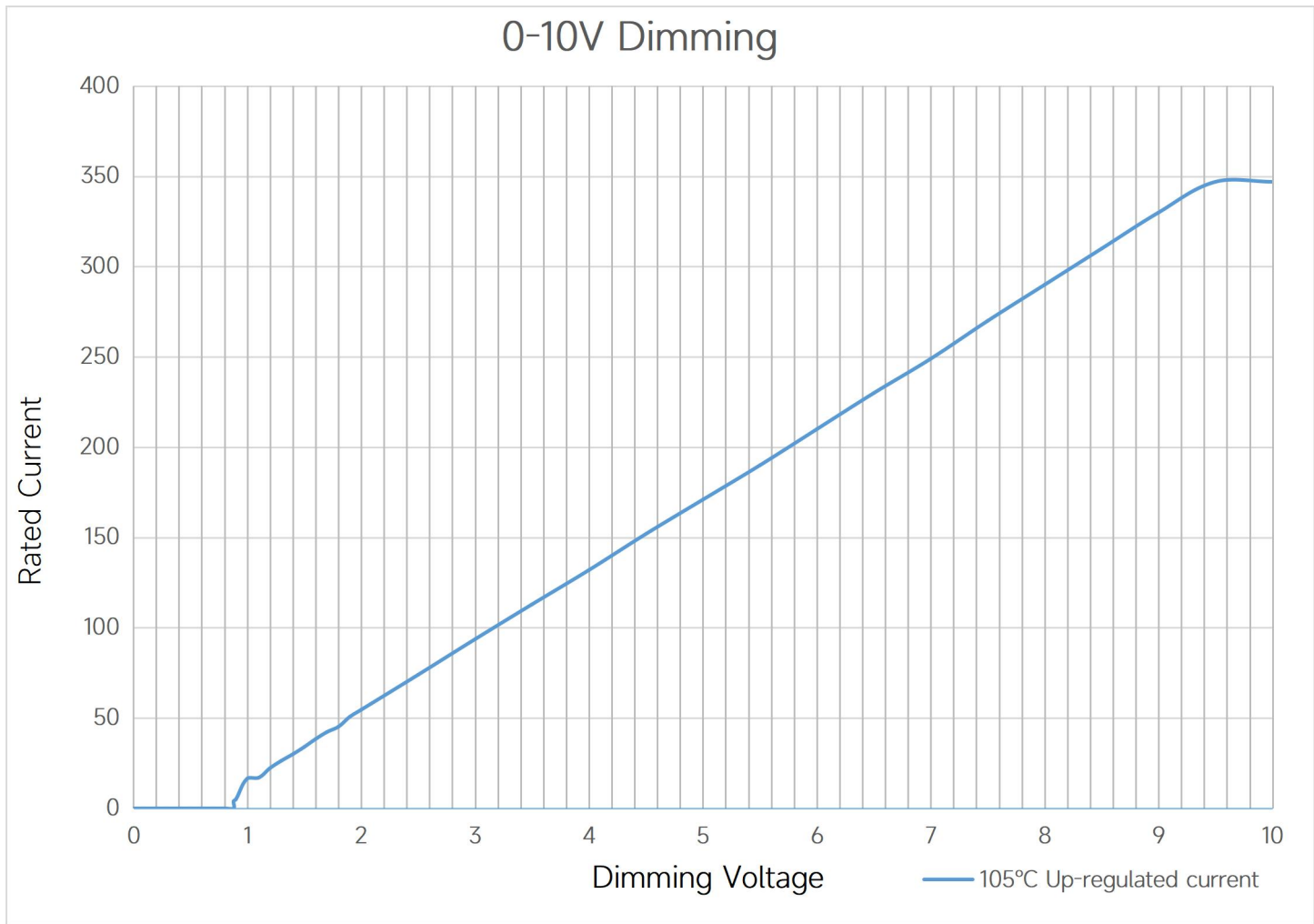
◆ Circuit Breaker

I _{peak}	T _{width}	B10	B16	B20	C10	C16	C20
3.1A	44μs	80pcs	128pcs	160pcs	80pcs	128pcs	160pcs

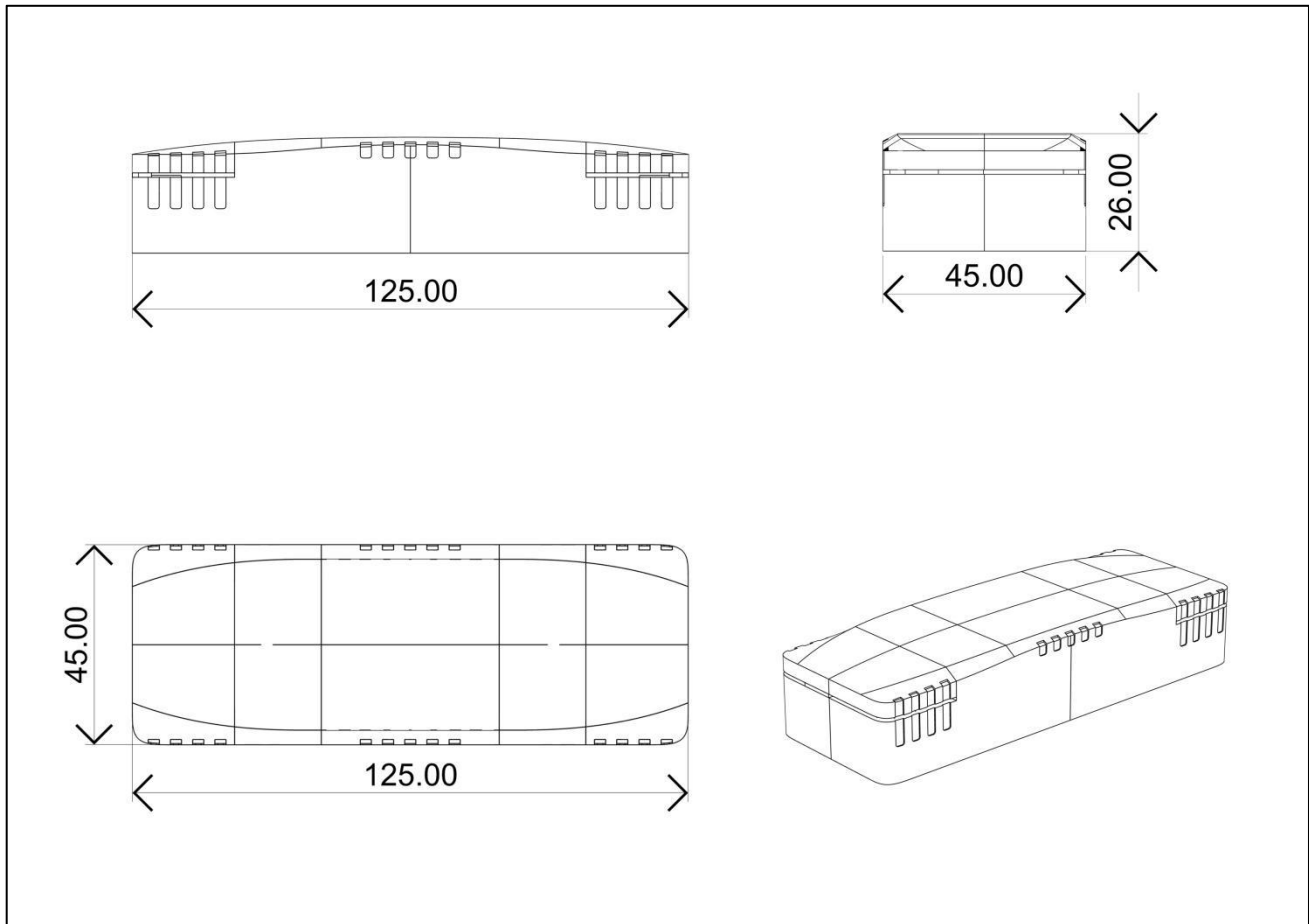
◆ **Wiring diagram**



◆ **The dimming curve**



◆ **2D diagram**

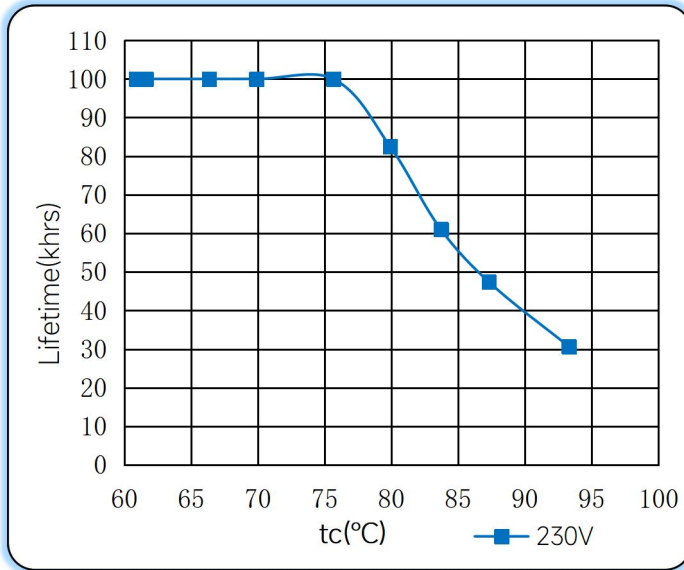


◆ Wiring & Connections

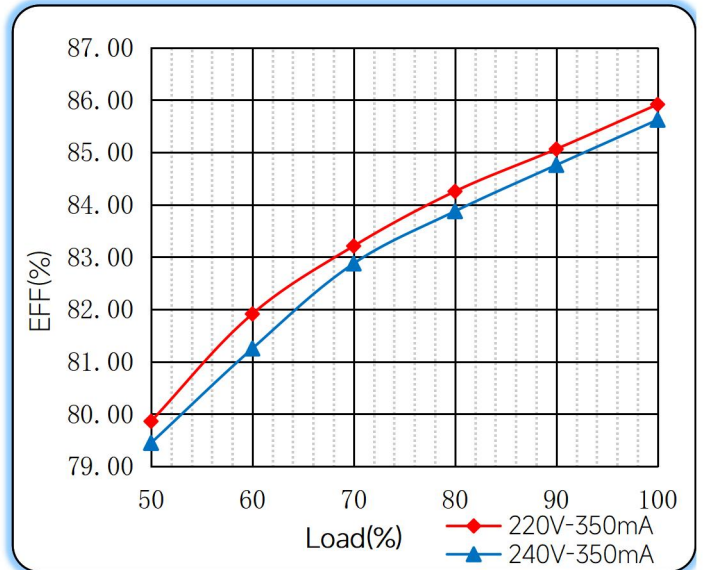
Specification item		Value (Unit)
Input	Input wire cross-section	0.5...1.5 mm ²
	Input wire gauge.	16...20 AWG
	Input wire strip length	7...9mm
Output	Output wire cross-section	0.5...1.5 mm ²
	Output wire gauge.	16...20 AWG
	Output wire strip length	7...9mm

◆ **Curve for FLS-15-350 0-10 LA, I_o=350mA**

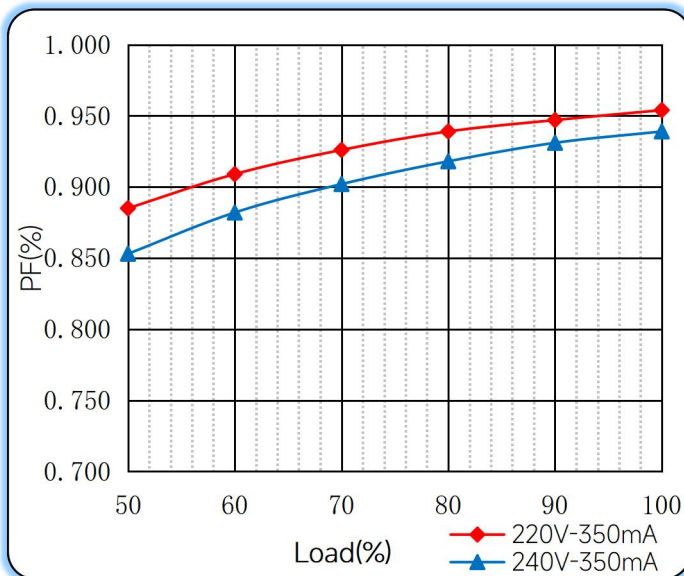
Lifetime vs. Temperature Curve



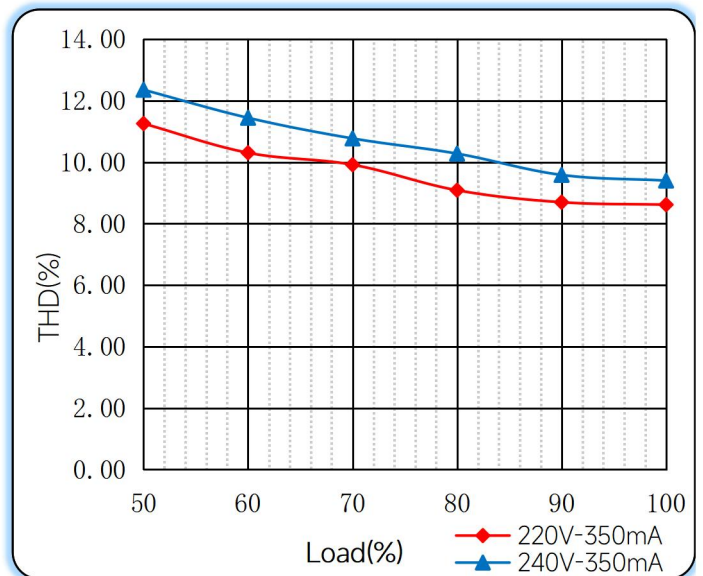
Efficiency vs. Load



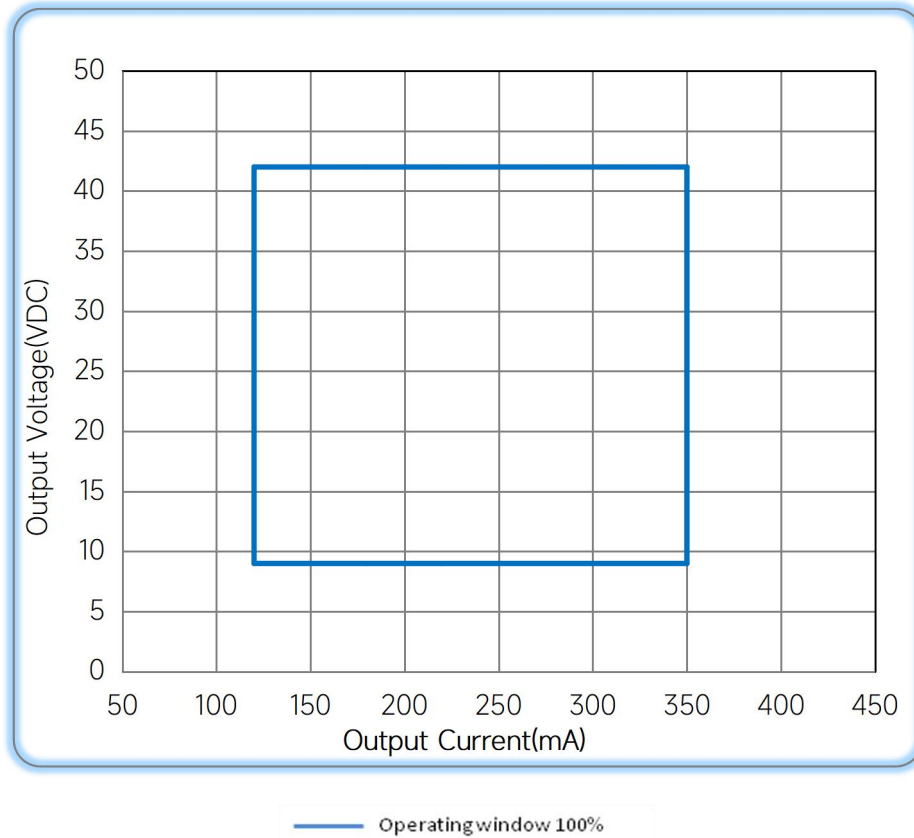
Power Factor Characteristics



THD vs. Load



◆ Operating window



◆ Revision Updates

ITEM	BEFORE	AFTER	VERSION	DATE
Initial			A	2022/05/15

Tel: +86-0757-86256822, +86-0757-86256831

E-mail: sales@eaglerise.com

Website : <https://lighting.eaglerise.com>



EAGLERISE



Manual